

# BASIK

by IED.



ENG

## ANEMO5H25 V3 4-20mA OUTPUT (heated)

**ANEMO5H25 range of BASIK.** Heated wind speed sensor designed for different industries and sectors.

Anemo5H25 V3 4-20mA OUTPUT is an analogue electric output anemometer. It is a 4-20mA output proportional to the wind speed with full scale versions of 120 and 180 km/h (33 and 50 m/s). It incorporates a heater to be able to work in -0 °C temperatures. When the temperature is higher than +6° C, it switches itself off automatically to reduce the consumption.

Industrial design for extreme environments  
4-20mA analogue output  
Stainless Steel bearings  
An external thermostat is not required  
It Works from -20 °C with ice

## APPLICATIONS

ANEMO5H25 V3 4-20mA OUTPUT has been designed for industrial applications: cranes, solar panels, wind turbines, weather stations... It is a version that has been specially designed to work at low temperatures (from -20°C).

Its output can be connected to devices with analogue inputs such as PLCs, dataloggers, 4-20mA displays (see our references WM44-EVO11 V3, WM44-P AI, V-12, BS100/X) to display the wind speed and/or programme alarms to predefined values or to obtain records during predefined periods of time.

## OPERATING

Full range: 120 or 180 km/h of wind speed. (see references). It gives a 4-20 mA analogue output that depends on the wind speed. (see graphic)

The heater works from -20°C up to +6° C. Above this temperature, it switches itself off automatically to reduce the consumption.

The wind sensor must be fixed on a vertical position.

## MAINTENANCE

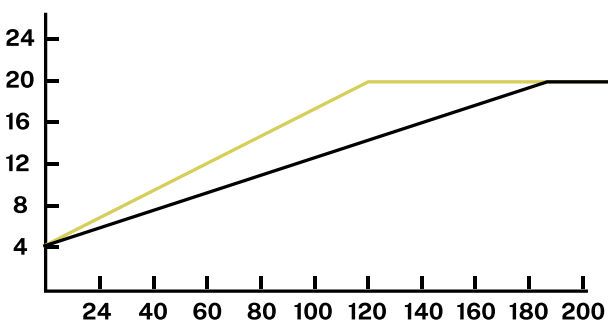
The unit has sealed stainless steel bearings, maintenance is not needed.

## WIND SPEED-OUTPUT RATIO

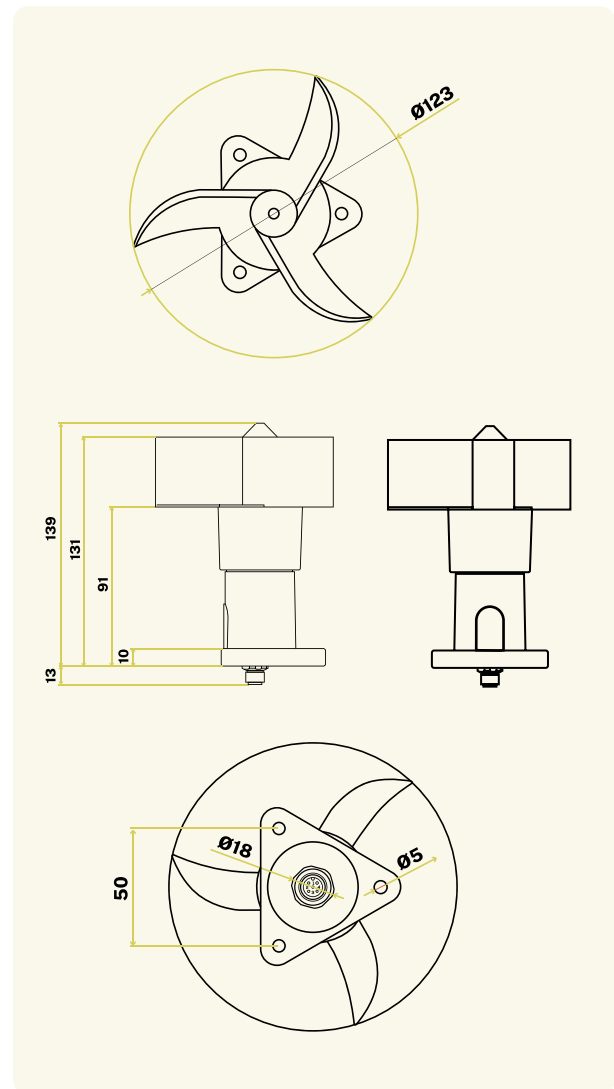
The output signal is proportional to the wind speed.

**4...20 mA = 0...120 km/h**

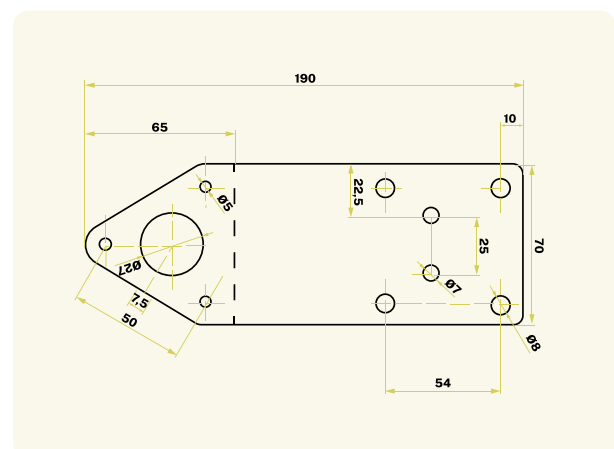
**4...20 mA = 0...180 km/h**



## DIMENSIONS



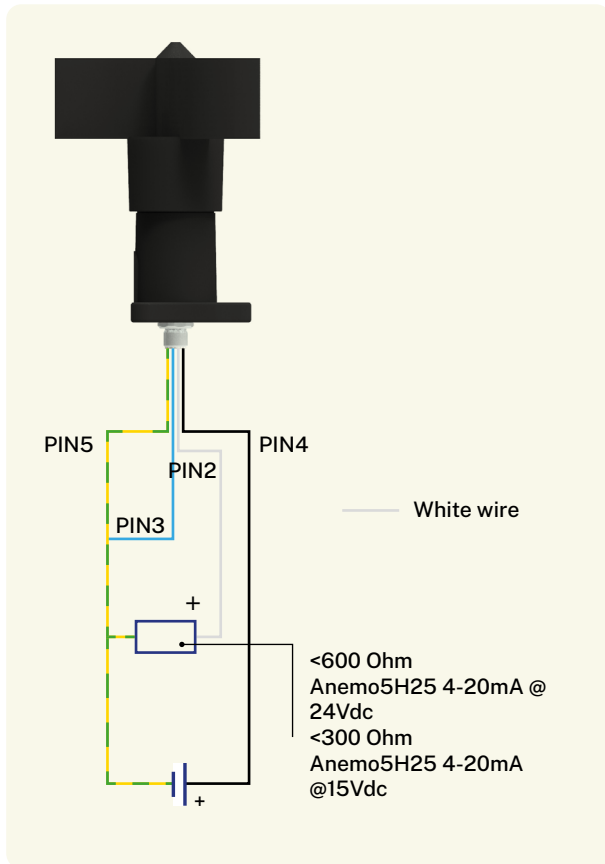
## BRACKET (OPTIONAL ACCESSORY)



90-degree upward fold, along the dashed line.  
2-mm-thick stainless steel.

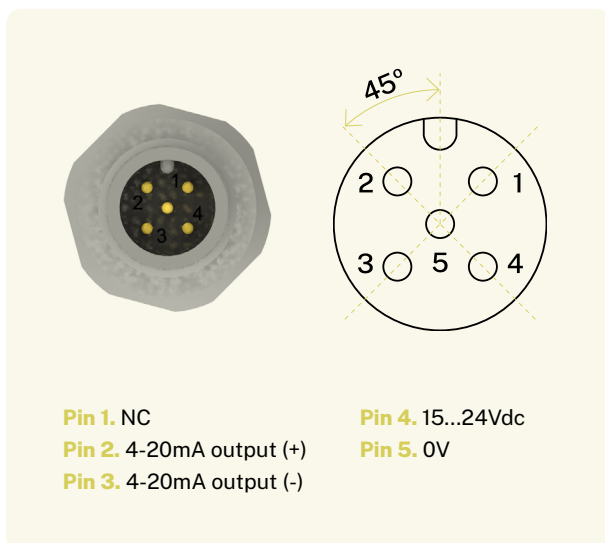
## CONNECTION

### BLOCKS DIAGRAM



Wires colours referenced to the cable supplied by IED.  
Cable not included in any version.  
WM44-P cannot supply the heater, an external power supply is required.

### ANEMO5H25 MALE M12 CONNECTOR



## TECHNICAL FEATURES

### Electrical features

<b>Power supply</b>	15...24 Vdc
<b>Consumption with heater</b> $t^{\circ} >6^{\circ}\text{C}$ (+-3°C)	<1.5 W
<b>Average consumption with heater</b> $t^{\circ} <6^{\circ}\text{C}$ (+-3°C)	<17 W
<b>Maximum current</b>	1.8 A @ 24 Vdc 1.2 A @ 15 Vdc
<b>Output</b>	Analogue (4-20 mA)
<b>Maximum connectable impedance</b>	<600 $\Omega$ @ 24Vdc <300 $\Omega$ @ 15Vdc

### Measurements

<b>Range</b>	From 3 km/h to full scale (depending on version)
<b>Starting speed</b>	8 km/h
<b>Survival speed</b>	200 km/h
<b>Accuracy</b>	1km/h (3-15 km/h) 3% (from 15 km/h to full scale)

\* Depending on the version

### General features

<b>Material</b>	PA + FV
<b>Bearings</b>	Stainless Steel X65Cr13
<b>Type of connection</b>	Connector M12*
<b>Weight</b>	145 g
<b>Dimensions</b>	125x155 mm
<b>Storage temperature</b>	-35°C +80°C
<b>Working temperature</b>	-20°C +60°C
<b>EMC</b>	EN IEC 61000-6-2:2019 EN 61000-6-3: 2007 EN 61000-6-3: 2007/ A1:2011
<b>Protection</b>	IP65 (UNE 20324:1993)

\* See references

## REFERENCES AND VERSIONS

### References

<b>0103011401</b>	ANEMO5H25 V3 4-20mA OUTPUT 120km/h M12 UNDERSIDE NO FEMALE CONNECTOR
<b>0103011402</b>	ANEMO5H25 V3 4-20mA OUTPUT 120km/h M12 UNDERSIDE
<b>0103011403</b>	ANEMO5H25 V3 4-20mA OUTPUT 120km/h M12 UNDERSIDE 12m CABLE
<b>0103011404</b>	ANEMO5H25 V3 4-20mA OUTPUT 120km/h M12 UNDERSIDE 25m CABLE
<b>0103011405</b>	ANEMO5H25 V3 4-20mA OUTPUT 180km/h M12 UNDERSIDE NO FEMALE CONNECTOR
<b>0103011406</b>	ANEMO5H25 V3 4-20mA OUTPUT 180km/h M12 UNDERSIDE
<b>0103011407</b>	ANEMO5H25 V3 4-20mA OUTPUT 180km/h M12 UNDERSIDE 12m CABLE
<b>0103011408</b>	ANEMO5H25 V3 4-20mA OUTPUT 180km/h M12 UNDERSIDE 25m CABLE

### Other devices of ANEMO4403 V3 range

#### No heated 4-20 mA output

<b>0103011001</b>	Anemo4403 V3 4-20mA OUTPUT 120 km/h M8 LATERAL
<b>0103011002</b>	Anemo4403 V3 4-20mA OUTPUT 180 km/h M8 LATERAL
<b>0103011003</b>	Anemo4403 V3 4-20mA OUTPUT 120 km/h 20m CABLE
<b>0103011004</b>	Anemo4403 V3 4-20mA OUTPUT 180 km/h 20m CABLE
<b>0103011005</b>	Anemo4403 V3 4-20mA OUTPUT 120 km/h TIME 2s 20m CABLE

### Displays

<b>0106030411</b>	WM44-EVO11 V3 IP65 24Vdc
<b>0106030412</b>	WM44-EVO11 V3 IP65 230Vac
<b>0106030901</b>	WM44-P V3 AI 0-10V/4-20 mA INPUT 24Vdc
<b>0106030902</b>	WM44-P V3 AI 0-10V/4-20 mA INPUT 230Vac
<b>0001</b>	V-12
<b>0103024473</b>	BS100/3 4-20mA (multifunction display large size 3 digitis)
<b>0103024474</b>	BS100/4 4-20mA (multifunction display large size 4 digitis)
<b>0103024475</b>	BS100/5 4-20mA (multifunction display large size 5 digitis)

### Accessories

<b>0103010505</b>	Stainless steel bracket AISI 304
<b>0103010506<sup>1</sup></b>	Stainless steel bracket plus hardware for mounting the wind sensor on the basket
<b>0103010507<sup>1</sup></b>	Magnets for flat ferromagnetic surfaces. This fixation system can support up to 90 kg
<b>0103010508</b>	2 steel clamps kit that can be fixed to irregular parts measuring up to 63 x 45 mm

\* 10 unit minimum order. On sale exclusively with wind sensor.

\* For other versions consult.



#### IED Electronics Solutions S.L.

Pol. Plazaola E 6, 31195 Aizoáin. Navarra (Spain)

[www.iedcompany.com](http://www.iedcompany.com)

[info@iedcompany.com](mailto:info@iedcompany.com)

**BASIK**  
e-elements for automation



# BASIK

by IED.



ESP

## ANEMO5H25 V3 4-20mA OUTPUT (calefactado)

**Gama ANEMO5H25 de BASIK. Sensor de velocidad de viento calefactado diseñado para diferentes industrias y sectores.**

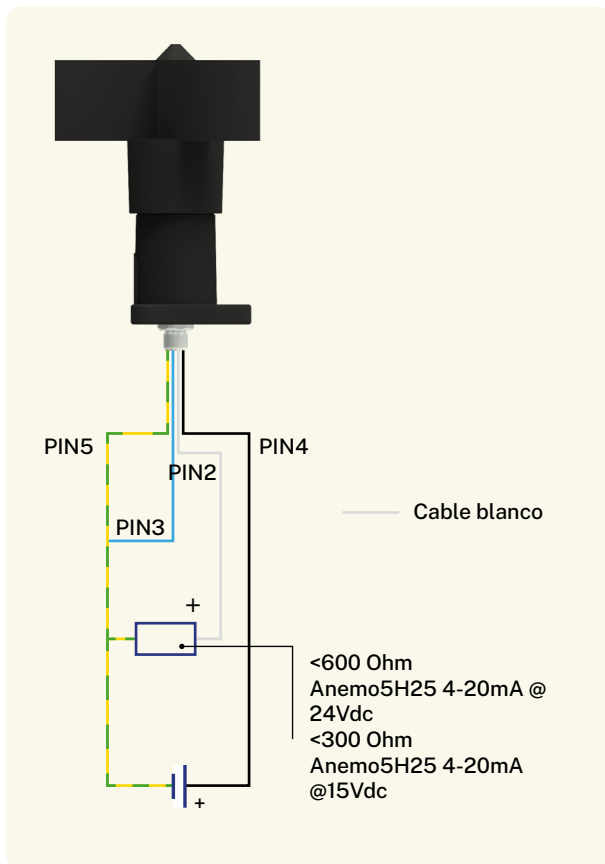
El Anemo5H25 V3 4-20mA OUTPUT es un anemómetro con salida eléctrica analógica. Es una salida de corriente de 4-20mA proporcional a la velocidad del viento con versiones de fondo de escala de 120 y 180 km/h (33 y 50 m/s). Incorpora un calefactor para trabajar en aplicaciones con temperaturas negativas. Cuando la temperatura rebasa +6° C se desconecta el calefactor para evitar consumo innecesario.

Diseño industrial para entornos hostiles  
Salida analógica 4-20mA  
Rodamientos de acero inoxidable  
No requiere termostato externo  
Trabaja desde -20°C con hielo



## CONEXIONADO

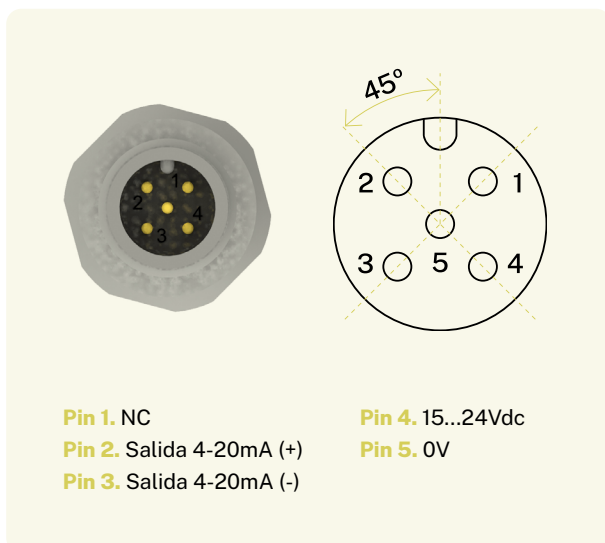
### DIAGRAMA DE BLOQUES



Colores de hilos referenciados al cable suministrado por IED.  
Cable no incluido en todas las versiones.

Para conectar con WM44-P utilizar fuente de alimentación  
externa para el calefactor.

### ANEMO5H25 CONECTOR M12



## CARACTERÍSTICAS TÉCNICAS

### Características eléctricas

<b>Alimentación</b>	15...24 Vdc
<b>Consumo con calefactor</b> $t^{\circ} >6^{\circ}\text{C} (+-3^{\circ}\text{C})$	<1.5 W
<b>Consumo medio con calefactor</b> $t^{\circ} <6^{\circ}\text{C} (+-3^{\circ}\text{C})$	<17 W
<b>Intensidad máxima</b>	1.8 A @ 24 Vdc 1.2 A @ 15 Vdc
<b>Tipo de salida</b>	Analógica (4-20 mA)
<b>Impedancia máxima conectable</b>	<600 $\Omega$ @ 24Vdc <300 $\Omega$ @ 15Vdc

### Medida

<b>Rango</b>	Desde 3km/h hasta fondo de escala. (depende de versión)
<b>Velocidad de arranque</b>	8 km/h
<b>Velocidad máxima</b>	200 km/h
<b>Precisión</b>	1km/h (3-15 km/h) 3% (desde 15 km/h hasta fondo de escala)

### General

<b>Material</b>	PA + FV
<b>Rodamientos</b>	Acero inoxidable X65Cr13
<b>Tipo de conexión</b>	Conector M12*
<b>Peso</b>	145 g
<b>Dimensiones</b>	125x155 mm
<b>T<sup>o</sup> almacenamiento</b>	-35°C +80°C
<b>T<sup>o</sup> funcionamiento</b>	-20°C +60°C
<b>EMC</b>	EN IEC 61000-6-2:2019 EN 61000-6-3: 2007 EN 61000-6-3: 2007/ A1:2011
<b>Protección</b>	IP65 (UNE 20324:1993)

\* See references

## REFERENCIAS Y ACCESORIOS

### Versiones

0103011401	ANEMO5H25 V3 4-20mA OUTPUT 120km/h M12 UNDERSIDE NO FEMALE CONNECTOR
0103011402	ANEMO5H25 V3 4-20mA OUTPUT 120km/h M12 UNDERSIDE
0103011403	ANEMO5H25 V3 4-20mA OUTPUT 120km/h M12 UNDERSIDE 12m CABLE
0103011404	ANEMO5H25 V3 4-20mA OUTPUT 120km/h M12 UNDERSIDE 25m CABLE
0103011405	ANEMO5H25 V3 4-20mA OUTPUT 180km/h M12 UNDERSIDE NO FEMALE CONNECTOR
0103011406	ANEMO5H25 V3 4-20mA OUTPUT 180km/h M12 UNDERSIDE
0103011407	ANEMO5H25 V3 4-20mA OUTPUT 180km/h M12 UNDERSIDE 12m CABLE
0103011408	ANEMO5H25 V3 4-20mA OUTPUT 180km/h M12 UNDERSIDE 25m CABLE

### Otros equipos gama ANEMO5H25 V3

#### No heated 4-20 mA output

0103011001	Anemo4403 V3 4-20mA OUTPUT 120 km/h M8 LATERAL
0103011002	Anemo4403 V3 4-20mA OUTPUT 180 km/h M8 LATERAL
0103011003	Anemo4403 V3 4-20mA OUTPUT 120 km/h 20m CABLE
0103011004	Anemo4403 V3 4-20mA OUTPUT 180 km/h 20m CABLE
0103011005	Anemo4403 V3 4-20mA OUTPUT 120 km/h TIME 2s 20m CABLE

### Visualizadores

0106030411	WM44-EVO11 V3 IP65 24Vdc
0106030412	WM44-EVO11 V3 IP65 230Vac
0106030901	WM44-P V3 AI 0-10V/4-20 mA INPUT 24Vdc
0106030902	WM44-P V3 AI 0-10V/4-20 mA INPUT 230Vac
0001	V-12
0103024473	BS100/3 4-20mA (display multifunción gran tamaño 3 dígitos)
0103024474	BS100/4 4-20mA (display multifunción gran tamaño 4 dígitos)
0103024475	BS100/5 4-20mA (display multifunción gran tamaño 5 dígitos)

### Accesorios

0103010505	Soporte de acero inoxidable AISI 304 para fijación
0103010506 <sup>1</sup>	Kit de soporte más tornillería para la fijación del anemómetro al soporte
0103010507 <sup>1</sup>	Kit de 4 imanes más tornillería para fijación en superficies ferromagnéticas planas. Esta fijación puede soportar hasta 90 kg
0103010508	Kit de 2 bridas de acero para la fijación a elementos irregulares de hasta 63x45mm

\* Pedido mínimo de 10 ud. Venta exclusiva junto con equipo.

\* Otras versiones, consultar



IED Electronics Solutions S.L.

Pol. Plazaola E 6, 31195 Aizoáin. Navarra (Spain)

[www.iedcompany.com](http://www.iedcompany.com)

[info@iedcompany.com](mailto:info@iedcompany.com)

**BASIK**  
e-elements for automation

